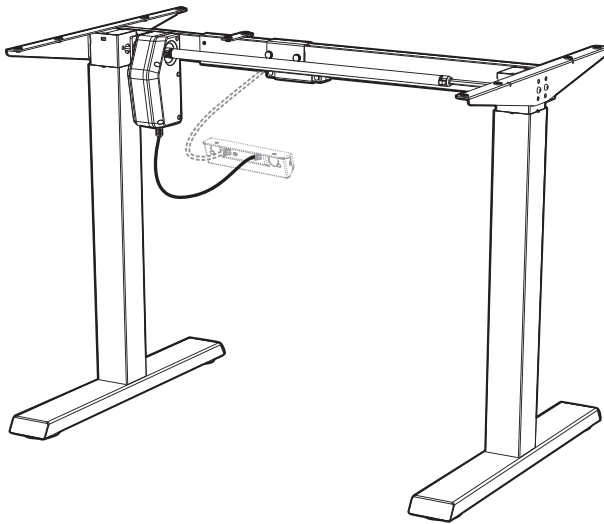


---

## Black Compact Electric Single Motor Desk Frame Instruction Manual



**SKU: DESK-E151EB**



Scan the QR code with your mobile device or follow the link for helpful videos and specifications related to this product.

<https://vivo-us.com/products/desk-e151eb>

---

GET IN TOUCH | Monday-Friday from 7:00am-7:00pm CST



help@vivo-us.com



www.vivo-us.com  
*Chat live with an agent!*



309-278-5303

## **WARNING!**

If you do not understand these directions, or if you have any doubts about the safety of the installation, please call a qualified technician. Check carefully to make sure there are no missing or defective parts. Improper installation may cause damage or serious injury. Do not use this product for any purpose that is not explicitly specified in this manual and do not exceed weight capacity. We cannot be liable for damage or injury caused by improper mounting, incorrect assembly, or inappropriate use.

## **ELECTRICAL SAFETY INSTRUCTIONS**

THIS PRODUCT IS POWERED BY ELECTRICITY. IN ORDER TO AVOID BURNS, FIRE AND ELECTRIC SHOCK, PLEASE READ THE FOLLOWING INSTRUCTIONS CAREFULLY.

- DO NOT CLEAN PRODUCT WHILE POWER IS CONNECTED.
- DO NOT DISASSEMBLE OR REPLACE COMPONENTS WHILE POWER IS CONNECTED.
- NEVER OPERATE THE SYSTEM WITH A DAMAGED CORD OR PLUG. PLEASE CONTACT YOUR SELLER TO REPLACE DAMAGED PARTS.
- NEVER OPERATE SYSTEM IN DAMP ENVIRONMENTS OR IF ANY ELECTRICAL COMPONENTS HAVE MADE CONTACT WITH LIQUIDS.
- ALTERATIONS OF THE GIVEN POWER UNIT ARE NOT ALLOWED.
- OUTDOOR USE IS PROHIBITED.

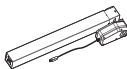
## **WARNING: CHOKING HAZARD**

SMALL PARTS - NOT FOR CHILDREN UNDER 3 YEARS. ADULT SUPERVISION IS REQUIRED.

## PACKAGE CONTENTS



**A (x1)**  
Telescopic  
Crossbar



**B (x1)**  
Motorized Leg



**C (x1)**  
Leg



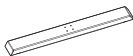
**D (x1)**  
Crossbar  
Spacer



**E (x2)**  
Side Bracket



**F (x1)**  
Sync Rod



**G (x2)**  
Foot



**H (x1)**  
Adapter Holder



**I (x1)**  
AC Adapter



**J (x1)**  
Power Cable



**K (x1)**  
Controller



**S-A (x16)**  
M6x12  
Bolt



**S-B (x10)**  
7/8" Screw



**S-C (x2)**  
3/4" Screw



**S-D (x3)**  
Cable Clip



**S-E (x10)**  
Anti-Vibration  
Pad



**S-F (x1)**  
Allen  
Wrench

# ! WARNING

## PINCH POINT

DO NOT place hands on or near support bars. Moving parts can crush and cut. Pinch points are created during lifting and lowering the worksurface. Failure to follow these instructions may result in serious personal injury.



## TOOLS NEEDED



Phillips  
Screwdriver

DO NOT EXCEED WEIGHT CAPACITY.

Failure to do so may result in serious injury.



Level

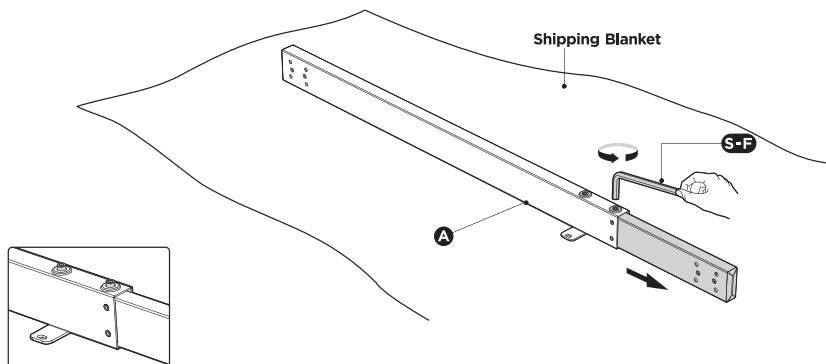


Drill

## ASSEMBLY STEPS

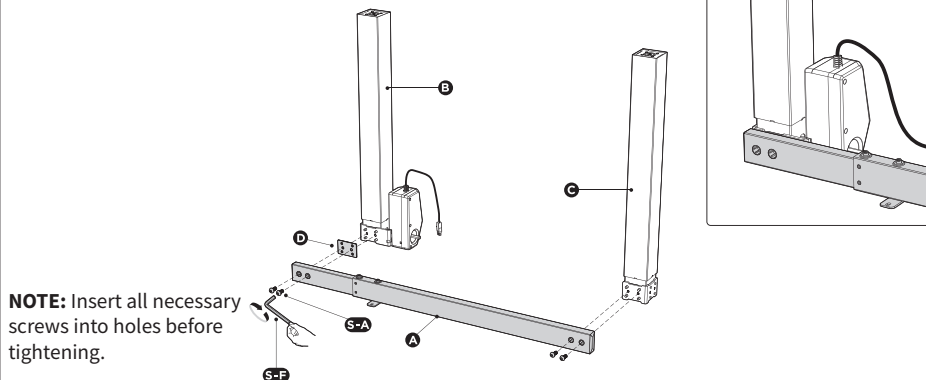
### STEP 1

Loosen the two set screws on the telescopic crossbar (A) using the Allen wrench (S-F). Adjust the crossbar length to suit the desktop. Retighten all screws.



### STEP 2

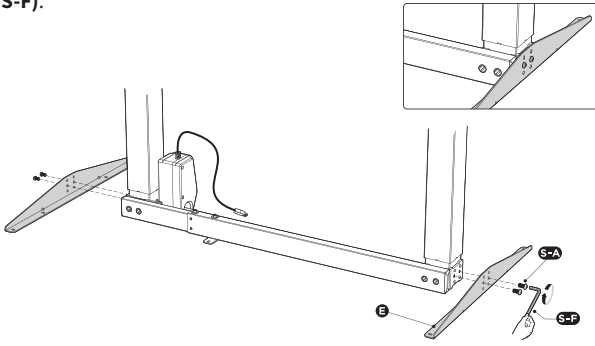
Place the crossbar spacer (D) on the motorized leg (B) as shown. Attach the telescopic crossbar to the legs (B, C) as shown using M6x12mm bolts (S-A), and tighten with the Allen wrench (S-F).



**NOTE:** Insert all necessary screws into holes before tightening.

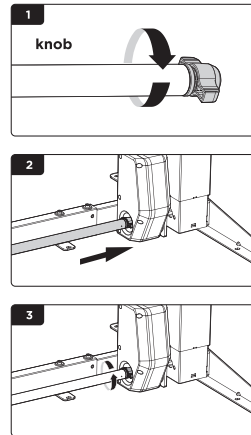
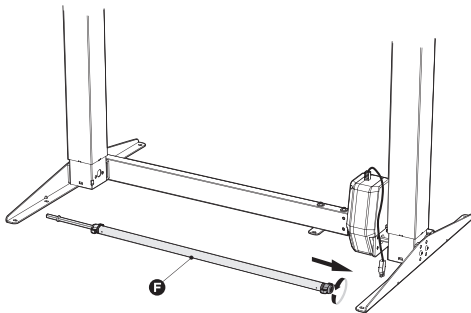
### STEP 3

Attach the side brackets (**E**) to both ends of the frame using four M6x12mm bolts (**S-A**). Tighten with the Allen wrench (**S-F**).



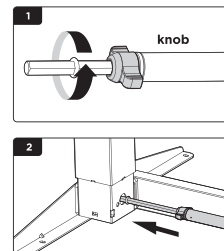
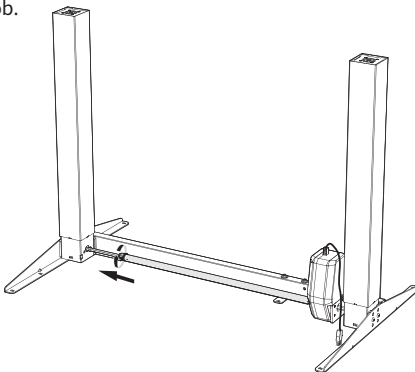
### STEP 4

Loosen the knob on the socket end of the sync rod (**F**) and slide the sync rod onto the shaft of the motorized leg. Tighten the knob.



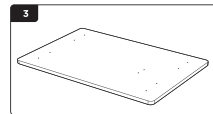
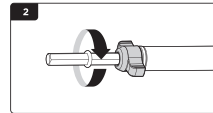
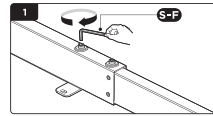
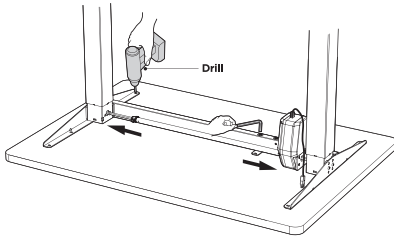
### STEP 5

Loosen the knob on the other end of the sync rod and extend the hex shaft into the socket in the leg, making sure the shaft is fully inserted. Tighten the knob.



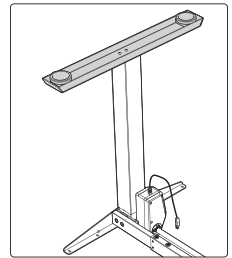
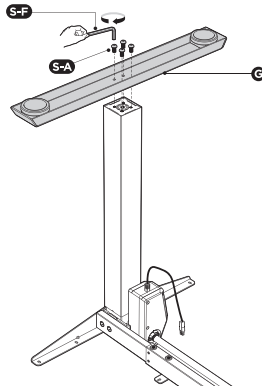
## STEP 6

Place the frame upside down on desktop and drill pilot holes for the screws. Use a 3/32" or 3mm bit, and drill holes to a depth of 3/8" (10mm). Readjust the sync rod if necessary.



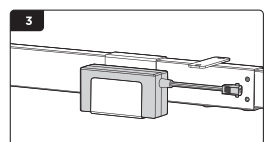
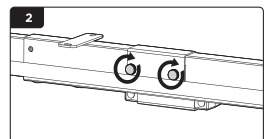
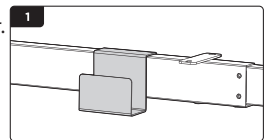
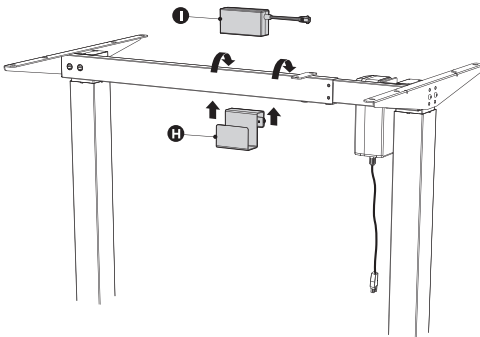
## STEP 7

Place the feet (G) on the legs as shown. Insert and tighten bolts (S-A) using the Allen wrench (S-F).



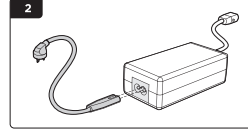
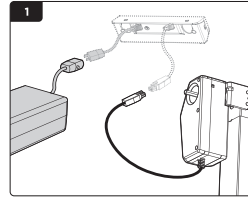
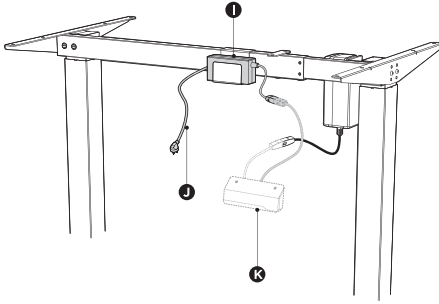
## STEP 8

Place the adapter holder (H) over the telescopic crossbar and tighten the two thumbscrews. Place the AC adapter (I) into the adapter holder.



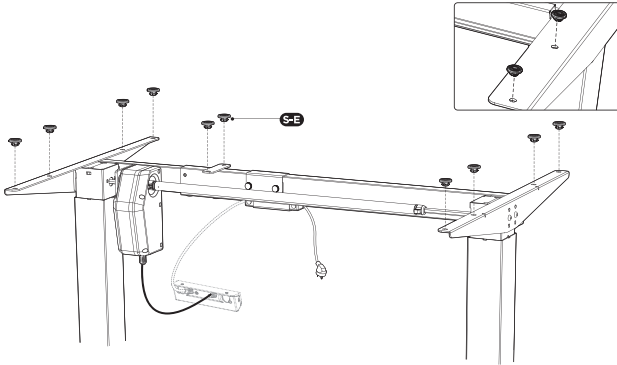
## STEP 9

Connect the AC adapter and motorized leg to the controller (**K**).  
Connect the power cable (**J**) to the AC adapter.



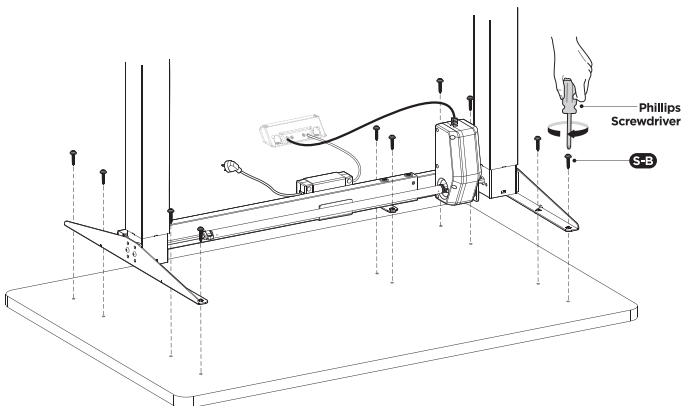
## STEP 10

Insert the anti-vibration pads (**S-E**) into the desktop mounting holes in the crossbar and side brackets.



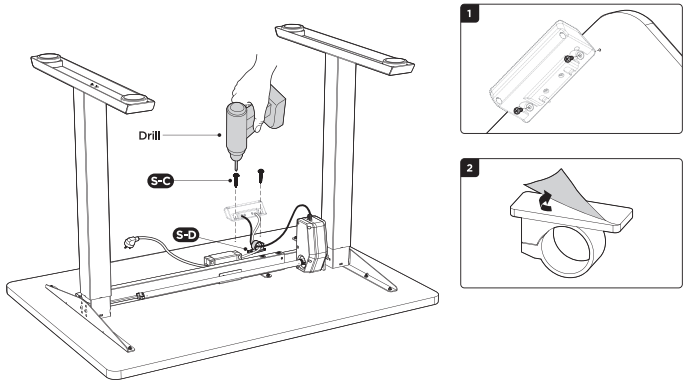
## STEP 11

Place the assembled frame on the desktop, making sure the pre-drilled holes are aligned with the desk frame, and secure the frame using 7/8" screws (**S-B**).



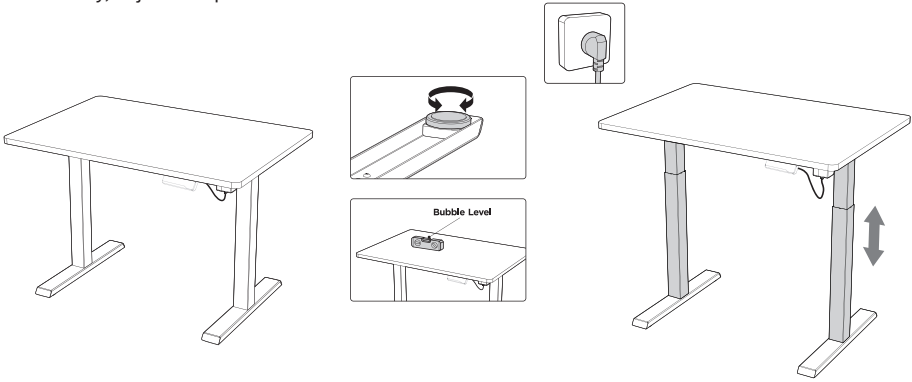
## STEP 12

Attach the controller to the underside of the desktop using 3/4" screws (**S-C**) as shown. Once controller is installed, cable clips (**S-E**) can be attached to the desk for cable management. Refer to the Controller User Guide for operational instructions.



## STEP 13

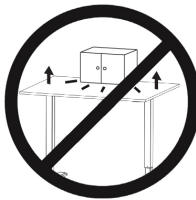
If necessary, adjust foot pads to level desk.



## CAUTION!



Do not exceed desk weight limit.



Keep area of vertical motion free of obstacles.



Keep weight on desk balanced for correct operation and longer life of components.



Leave enough slack in cables to allow for full range of vertical motion.

Failure to follow these instructions may result in property damage and/or personal injury.



Open **Monday - Friday 7:00am - 7:00pm CST**, our dedicated support team can offer immediate assistance with rapid response times. If any parts are received damaged or defective, please contact us. We are happy to replace parts to ensure you have a fully functioning product.


 [help@vivo-us.com](mailto:help@vivo-us.com)

**AVG. RESPONSE TIME** (*within office hrs*): **1HR 8M**

- 23% within < 15m
- 38% within < 30m
- 61% within < 1hr
- 83% within < 2hr
- 92% within < 3hr

 [www.vivo-us.com](http://www.vivo-us.com)  
*Chat live with an agent!*

**AVG. RESOLUTION TIME** (*within office hrs*): **< 15 M**

 309-278-5303

**AVG. RESOLUTION TIME** (*within office hrs*): **5M 4S**